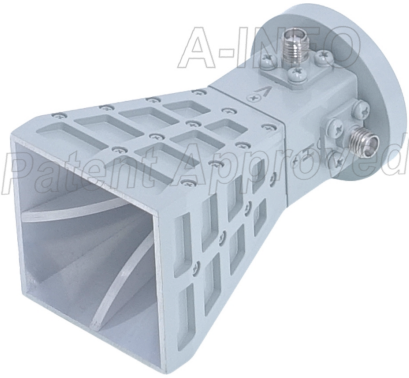


For reference only. See data sheet for the detailed specifications.

Technical Specification



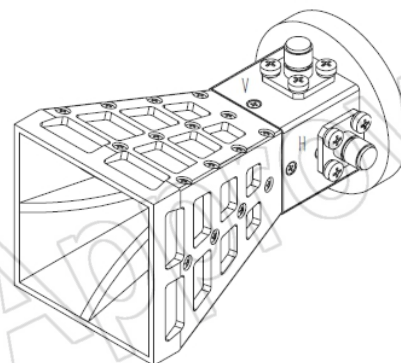
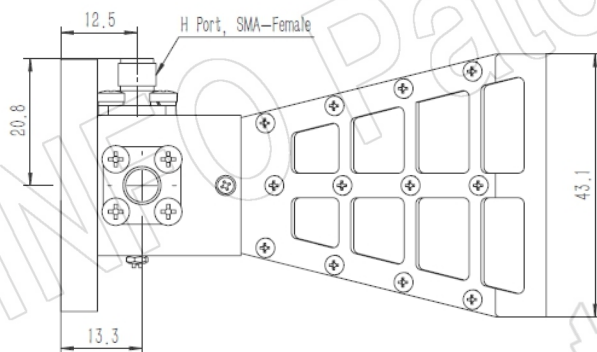
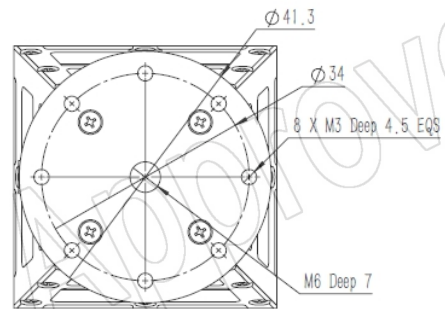
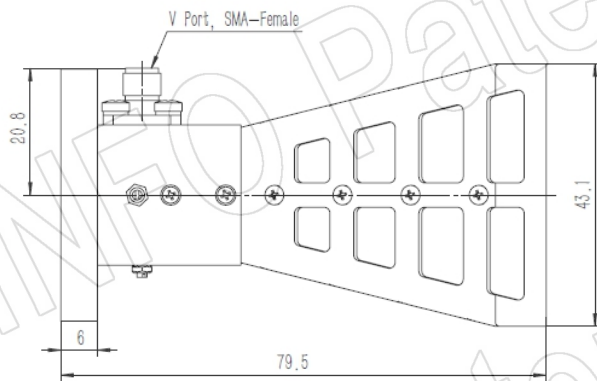
Frequency Range(GHz)	6.0 – 18.0
Gain(dBi)	12 Typ.
Polarization	Dual Linear
3dB Beamwidth(deg)	E Plane: 66 - 24
	H Plane: 77 - 28
Cross Pol. Isolation(dB)	30 Typ. ; 20 Min.
Port to Port Isolation(dB)	35 Typ. ; 30 Min.
VSWR	2.0:1 Typ.
	2.5:1 Max.
Connector	SMA-Female
Power Handling(W CW)	25 Max.
Material	Al
Finish	Chemical Conversion Coating, Gray Paint
Size(mm)	43.1 x 43.1 x 79.5
Net Weight(Kg)	0.11 Around

PATENT ID (China)

ZL202130737613.4, ZL201630458327.3

Outline Drawing (Size: mm)

SMA Female Output (P/N: LB-SJ-60180-SF)



AINFO Inc.

China(Beijing):
China(Chengdu):
USA :

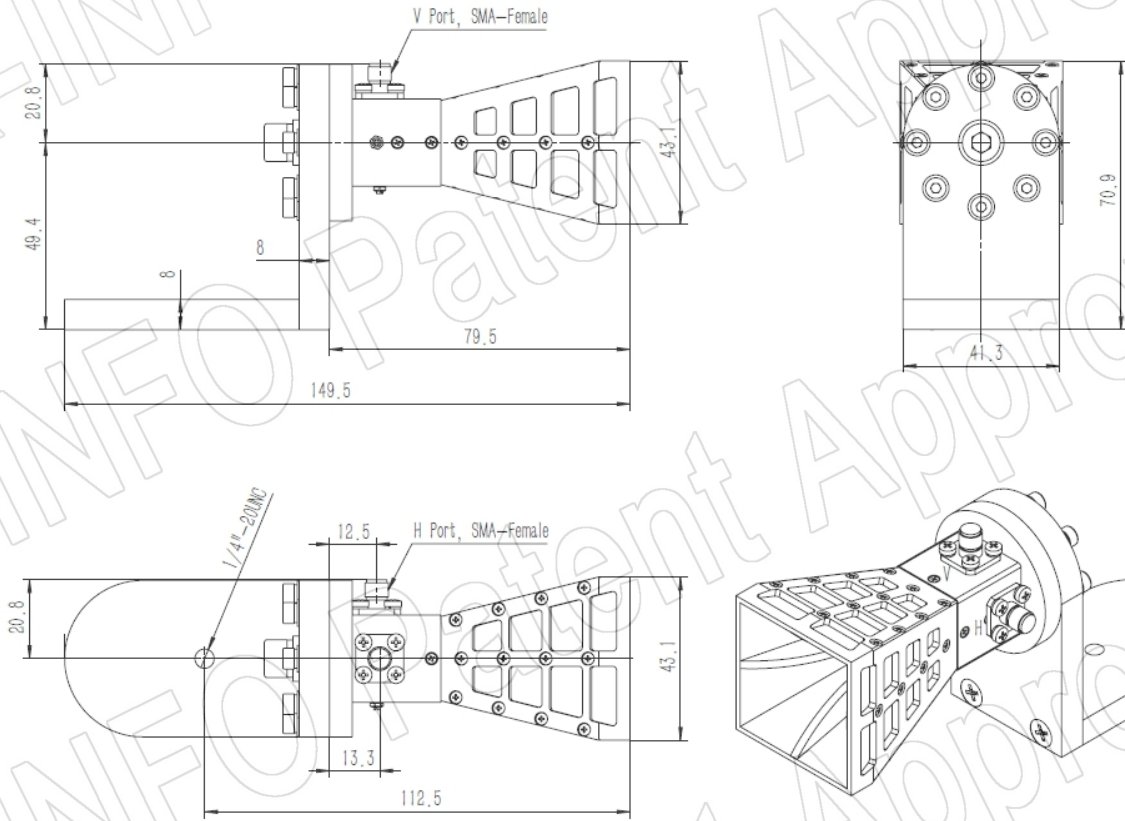
Tel: (+86) 10-6266-7326,
Tel: (+86) 28-8519-2786,
Tel: (+1) 949-346-7326,

(+86) 10-6266-7327
(+86) 28-8519-3044
(+1) 949-639-9660

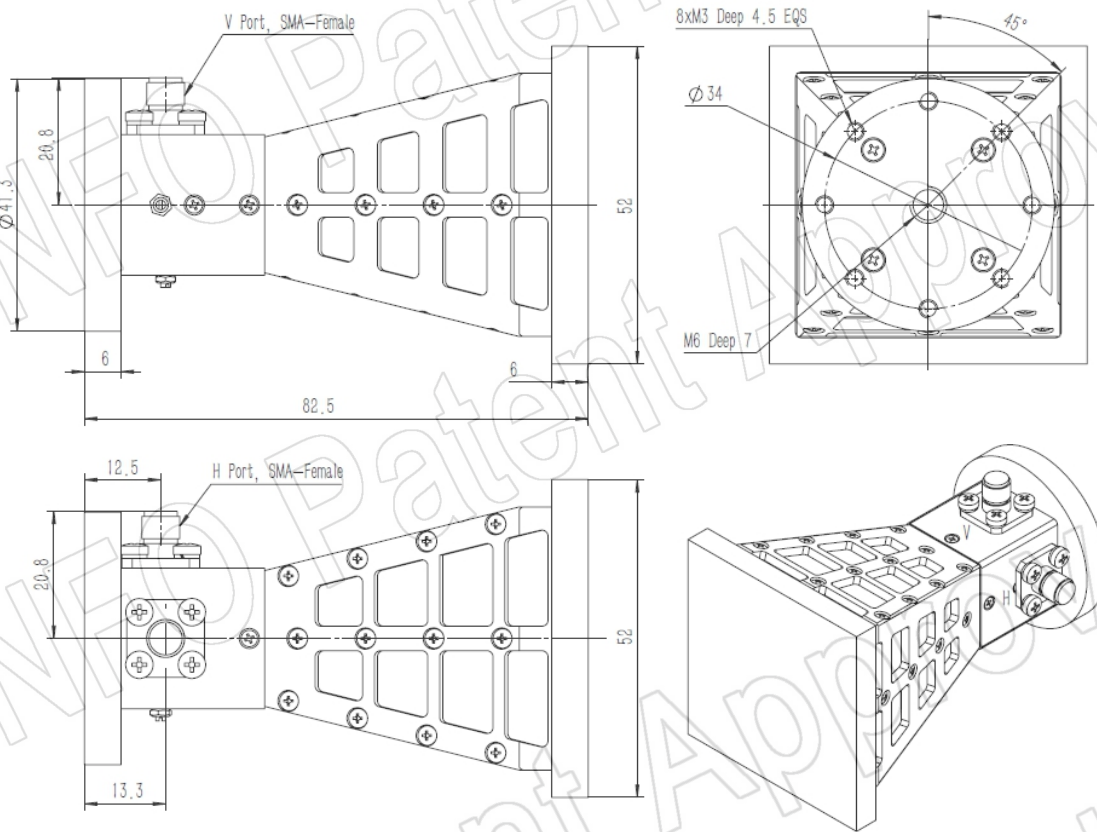
Fax: (+86) 10-6266-7379
Fax: (+86) 28-8519-3068
Fax: (+1) 949-639-9659

Website: www.ainfoinc.com
Email: sales@ainfoinc.com

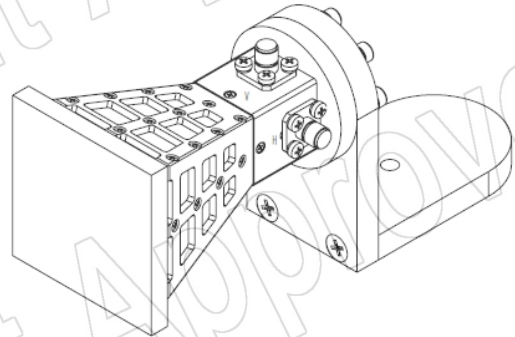
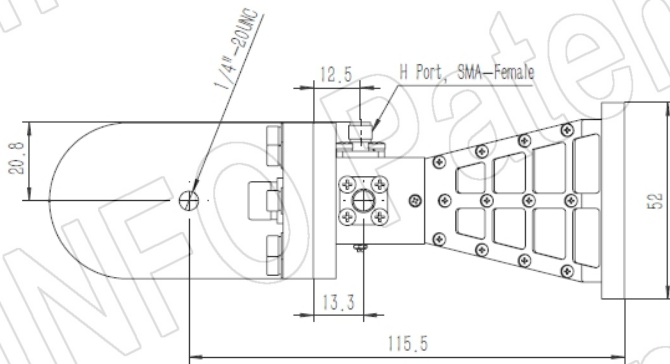
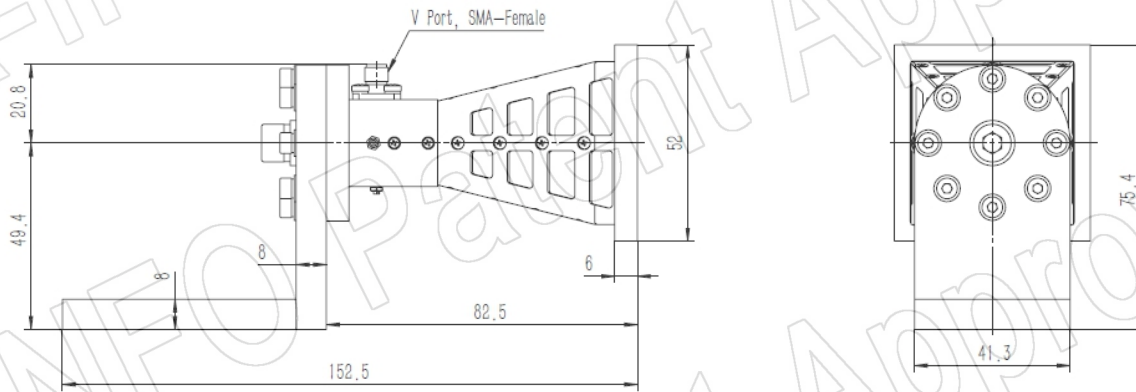
SMA Female Output with L Type Mounting Bracket (Option, P/N: LB-20180-L)



SMA Female Output with Radome (Option, P/N: LB-SJ-60180-SFSO, Outdoor Application)

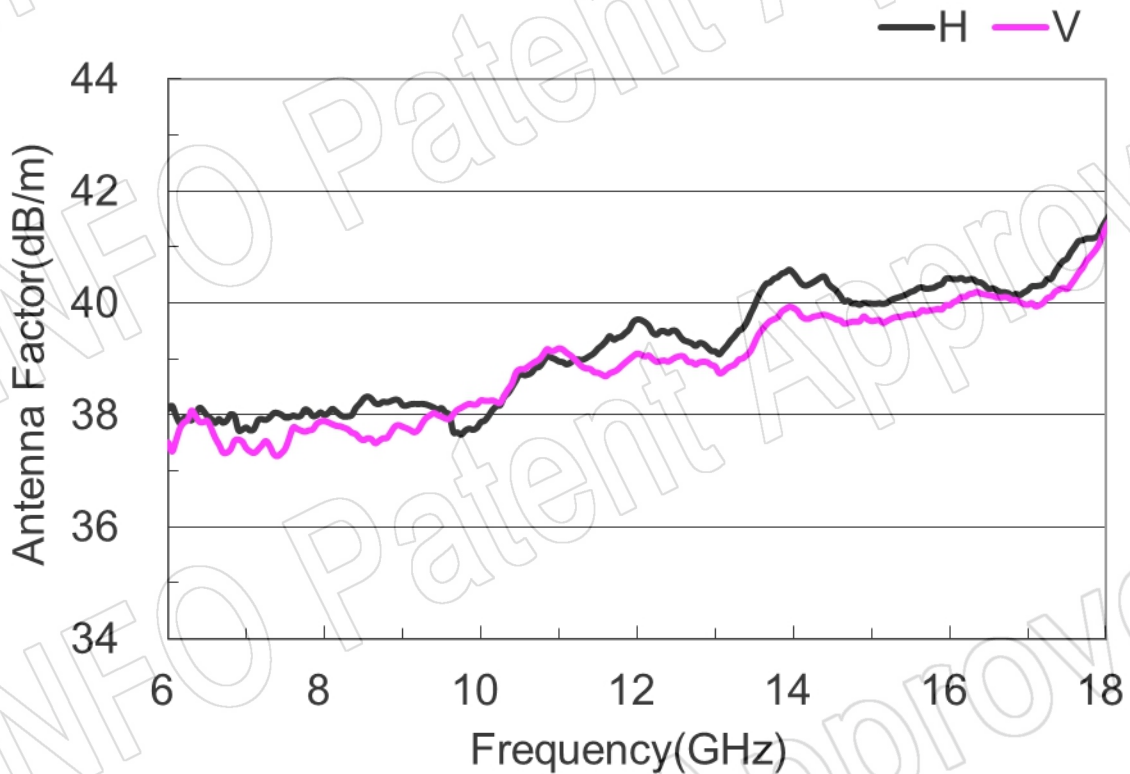
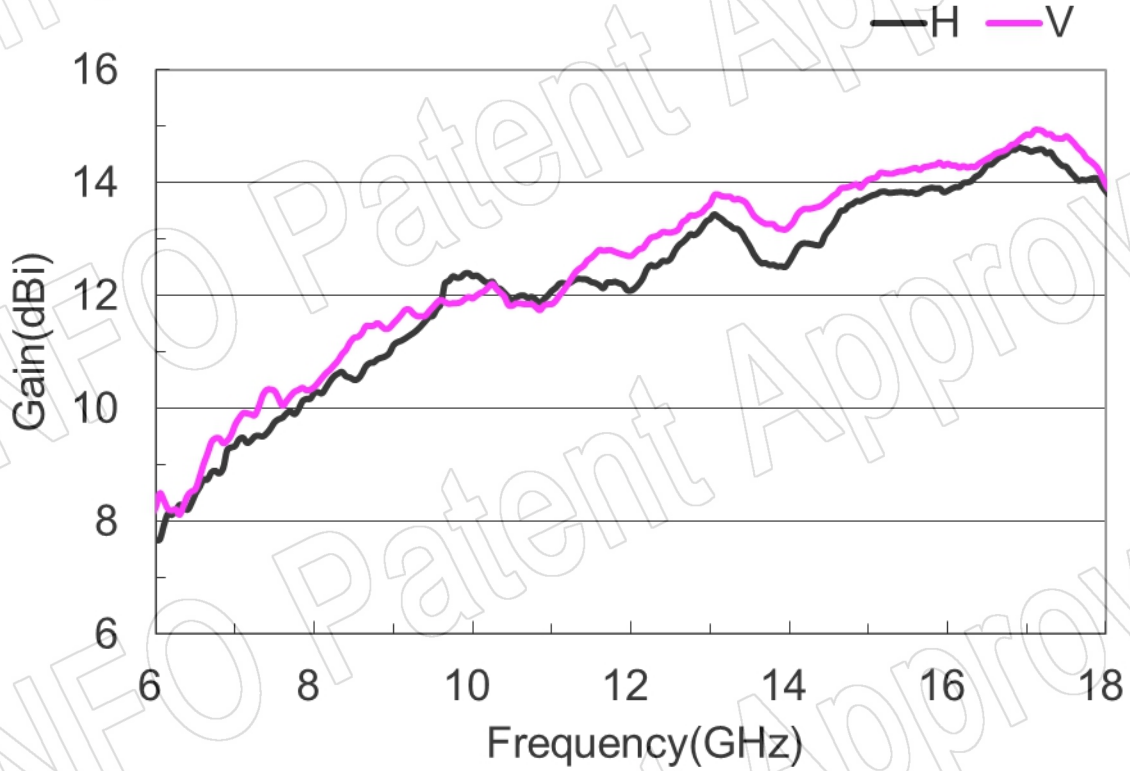


SMA Female Output with L Type Mounting Bracket & Radome (Option, P/N: LB-20180-L & LB-SJ-60180-SFSO, Outdoor Application)

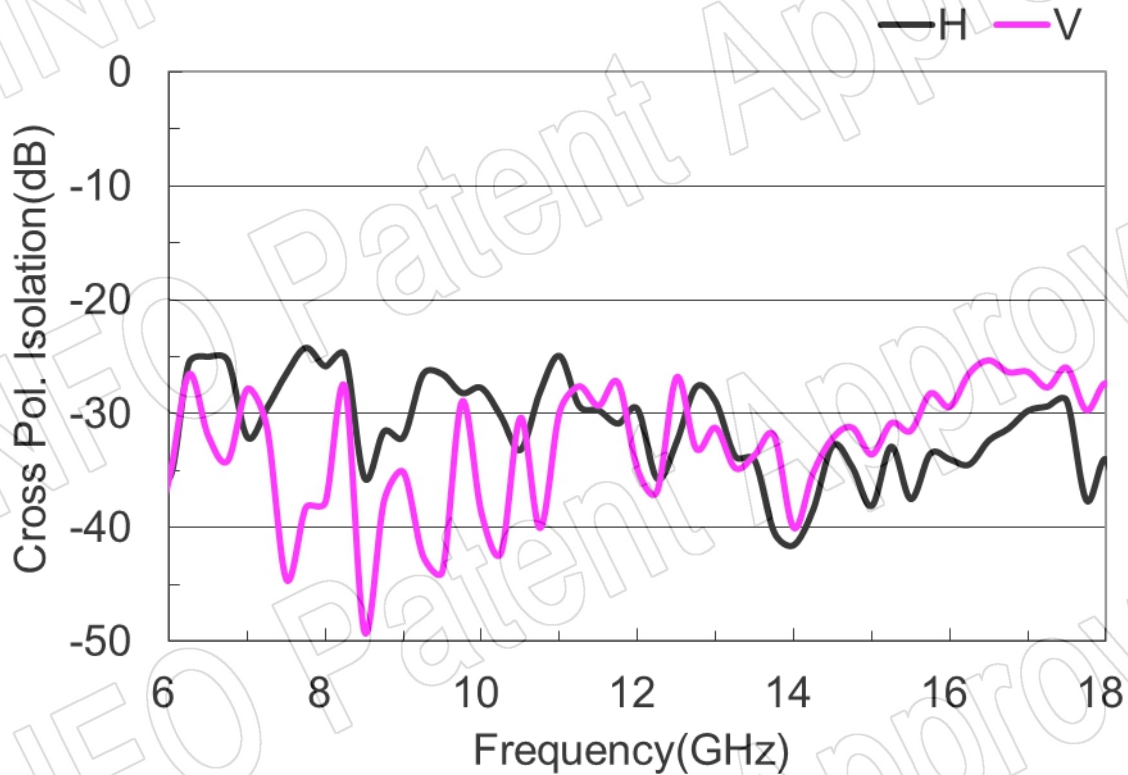


Test Results

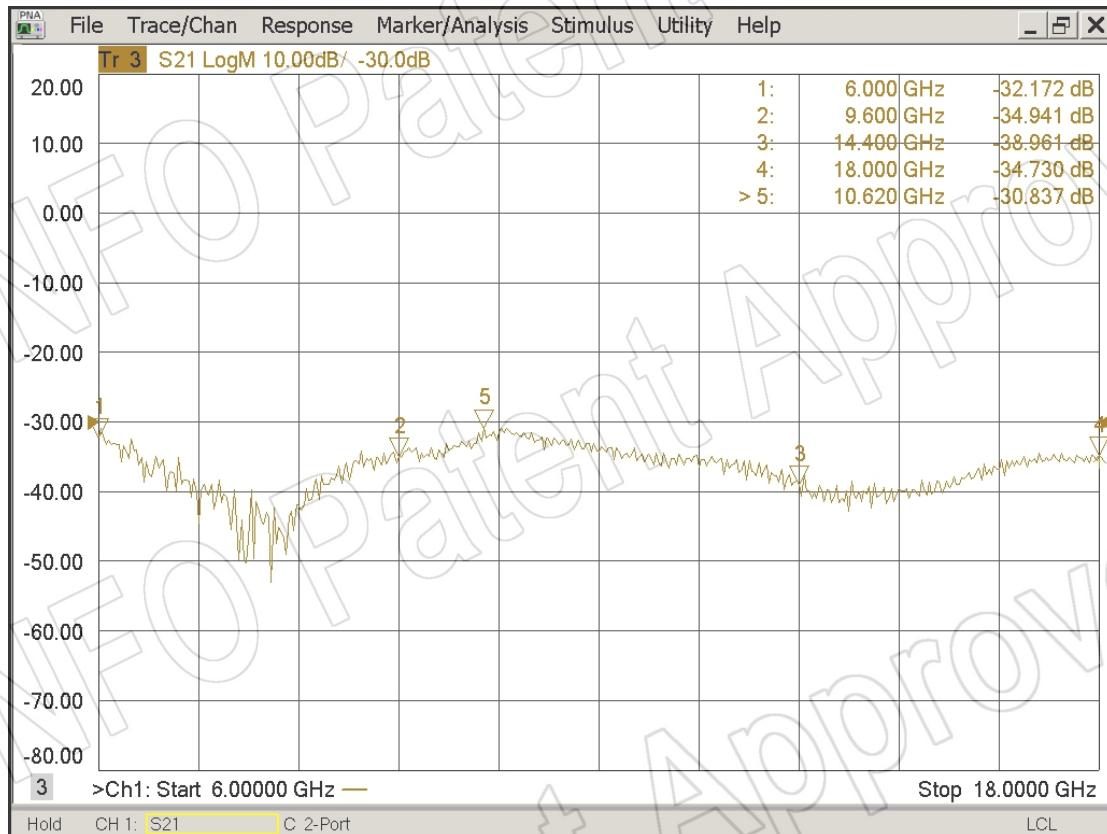
1. Gain & Antenna Factor



2. Cross Polarization Isolation

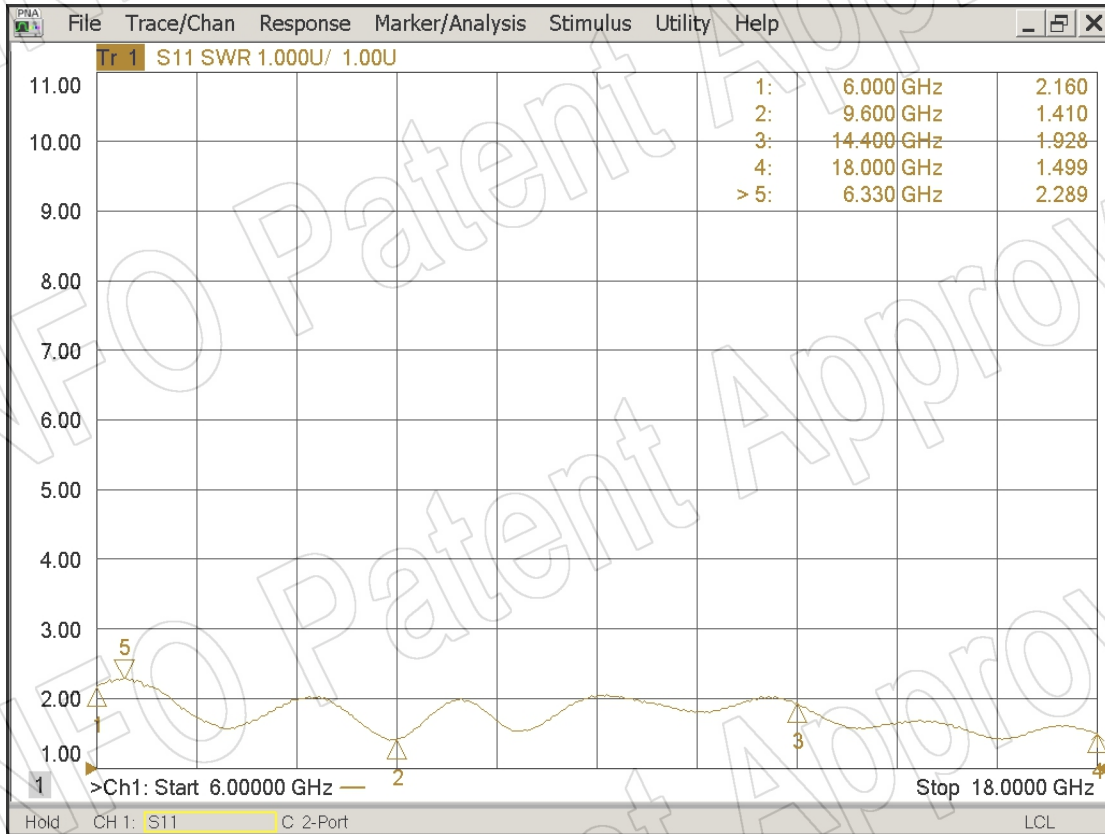


3. Port to Port Isolation

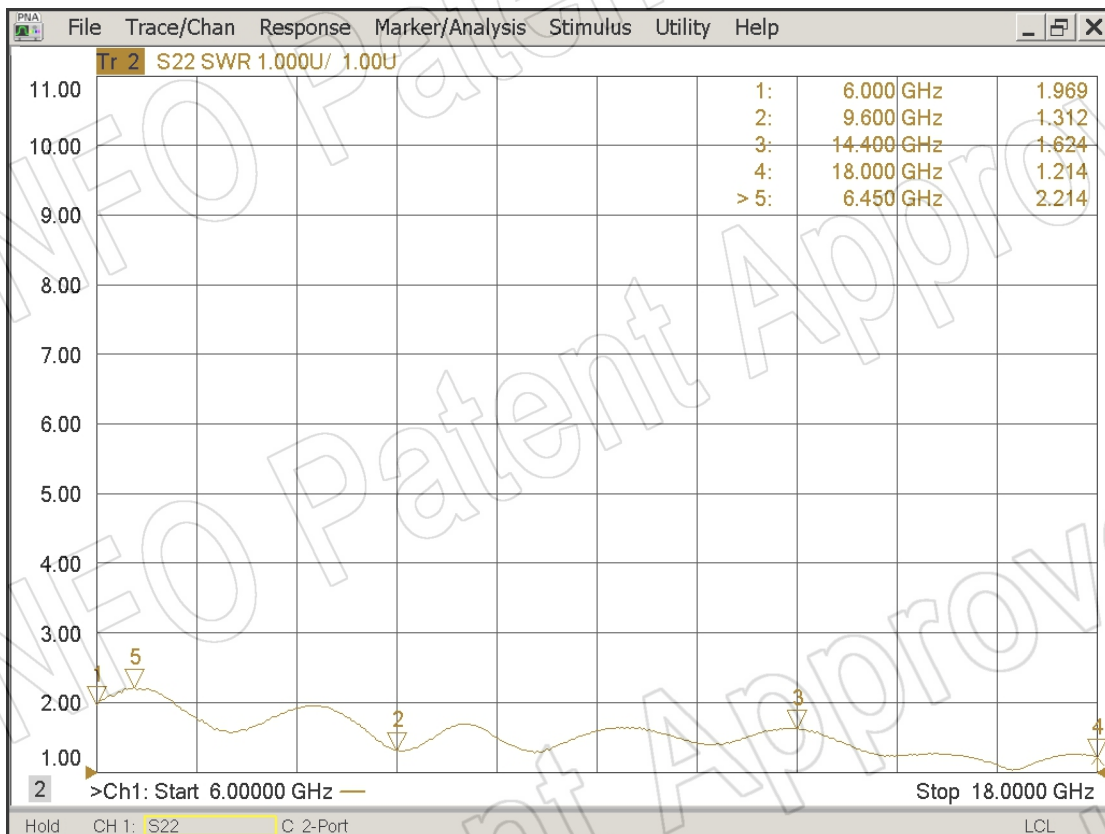


4. VSWR

Port-H



Port-V



5. Pattern

